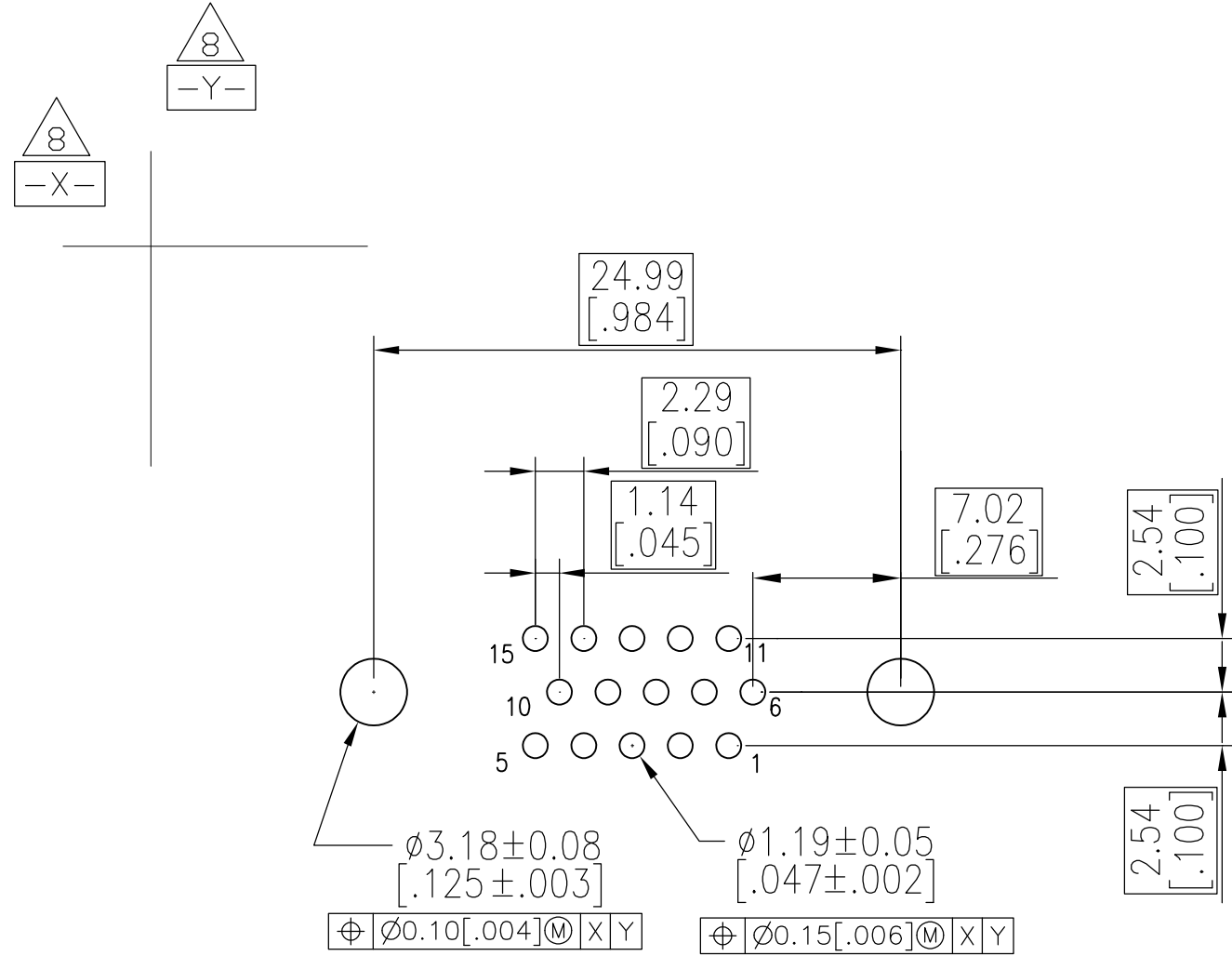
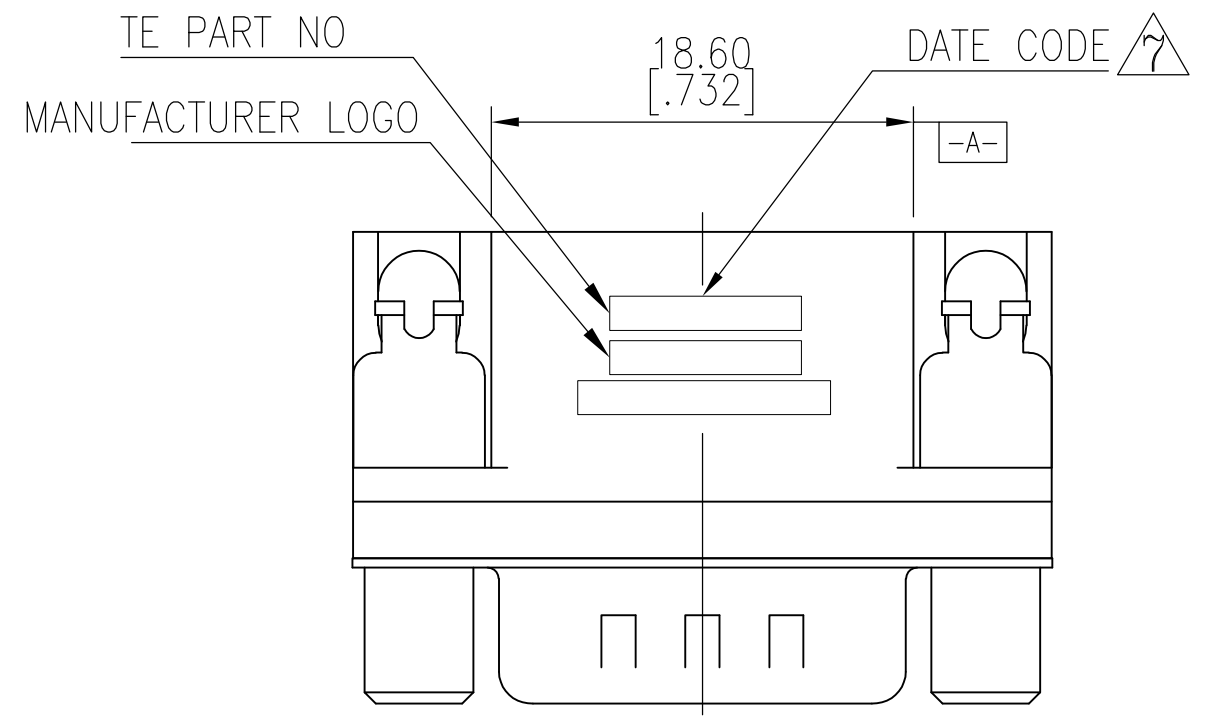
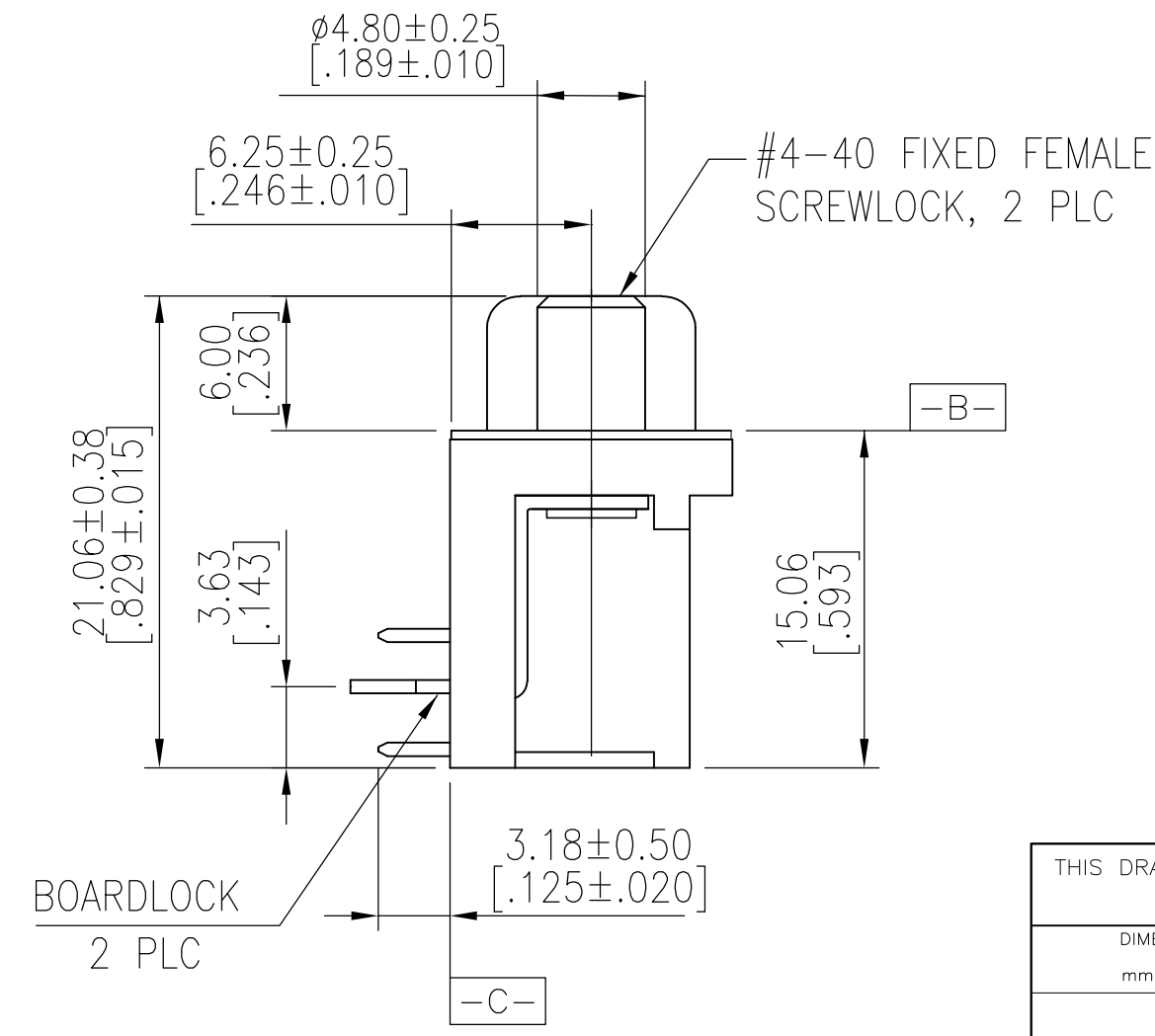
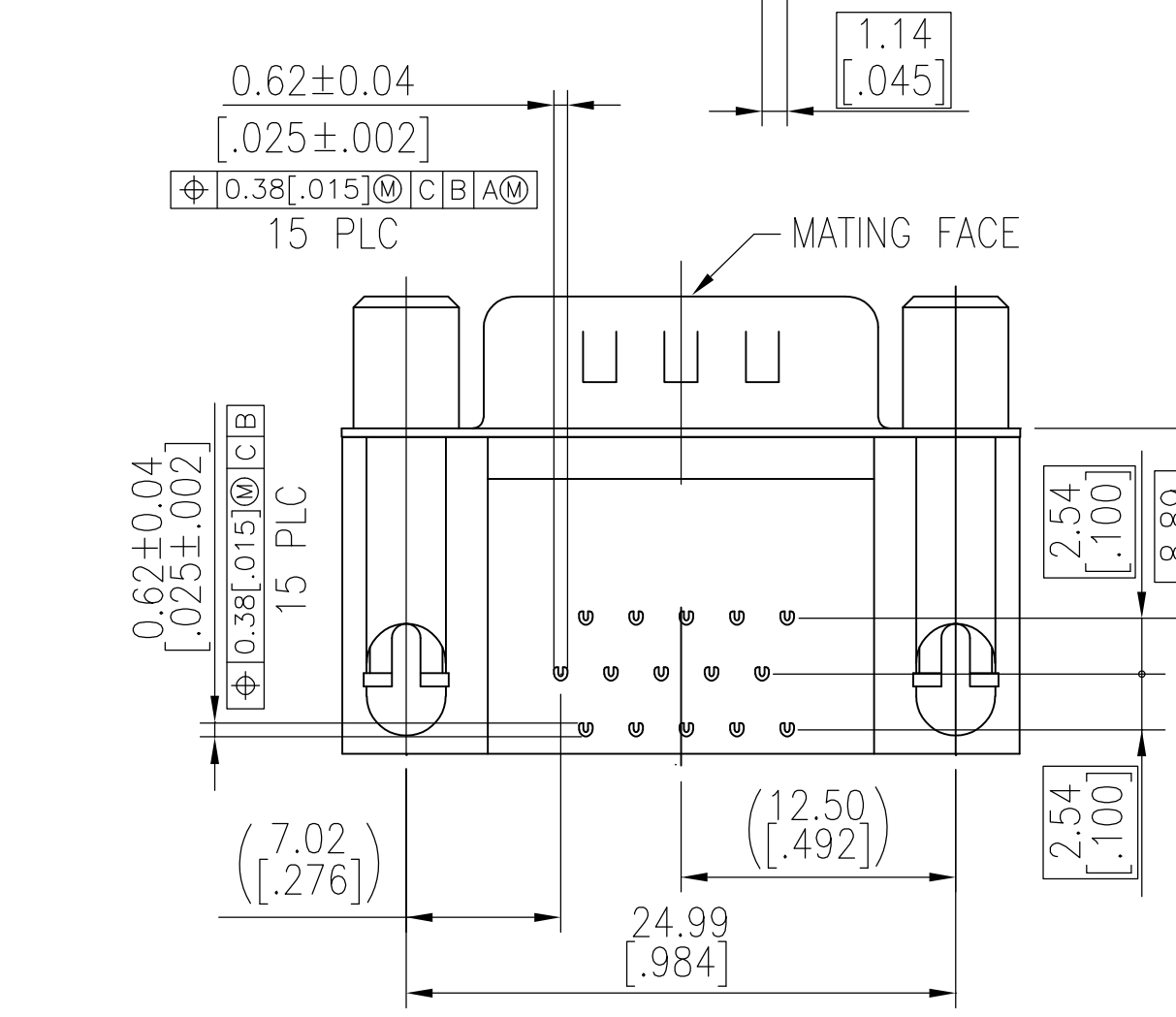
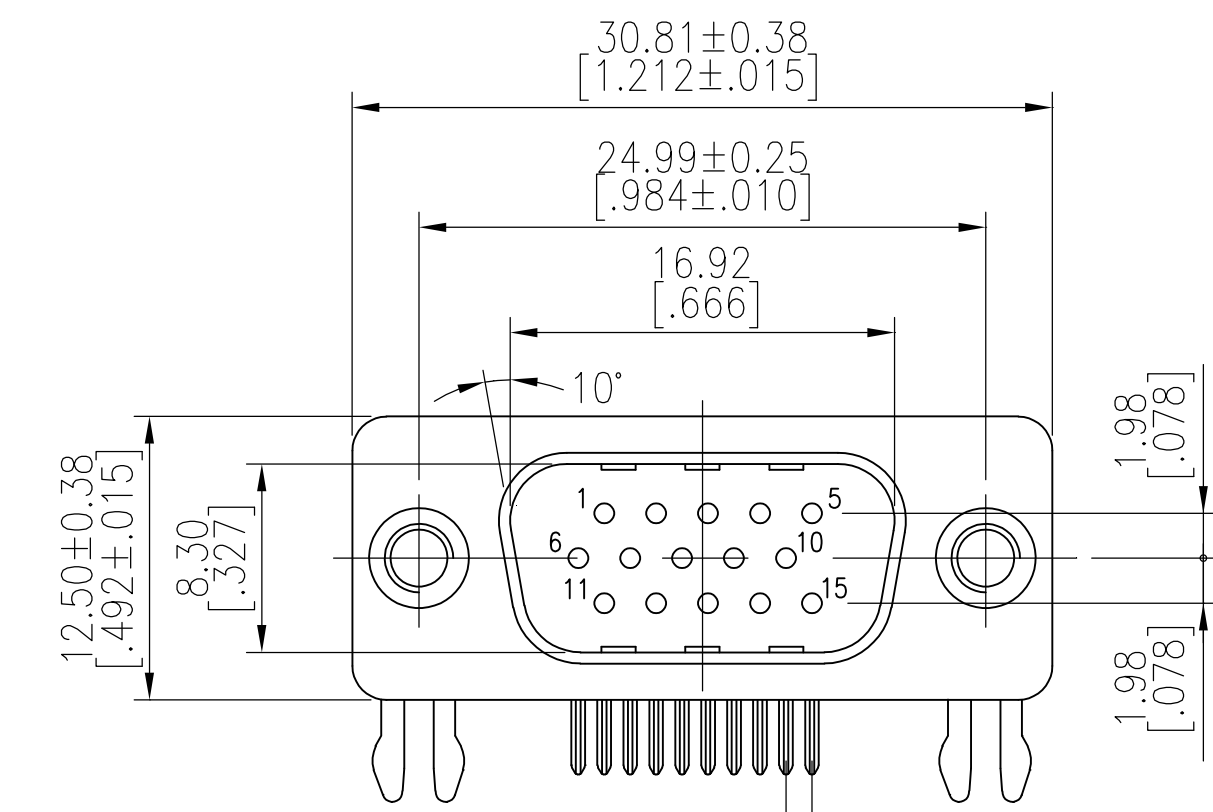


THIS DRAWING IS UNPUBLISHED. RELEASED FOR PUBLICATION
 © COPYRIGHT BY TYCO ELECTRONICS CORPORATION. ALL INTERNATIONAL RIGHTS RESERVED.

LOC		DIST		REVISIONS			
P	LTR	DESCRIPTION	DATE	DWN	APVD		
GP	00	C	REVISED PER ECO-09-005756	15APR2009	ZMR	SLB	



RECOMMENDED PCB LAYOUT



- HOUSING MATERIAL: PBT, GLASS FILLED, BLACK, UL 94V-0 RATED.
 - CONTACT MATERIAL: PHOSPHOR BRONZE.
 - CONTACT FINISH: GOLD PLATE IN MATING AREA (SEE TABLE), 120μ" MIN TIN PLATE ON SOLDER TAIL, BOTH OVER 50μ" MIN NICKEL UNDERPLATE.
 - SHELL: STEEL, NICKEL PLATE.
 - BOARDLOCK: BRASS, 100μ" MIN TIN PLATE.
 - FEMALE SCREWLOCK: BRASS, NICKEL PLATE.
- △ 7 FOUR DIGIT DATE CODE IN THIS FORMAT.
 Year 01 45 Manufacturing Week
- △ 8 DATUMS -X- & -Y- TO BE ESTABLISHED BY CUSTOMER.

OBSELETE	Gold Flash	5749768-3
OBSELETE	15μ" MIN	5749768-2
	30μ" MIN	5749768-1
	CONTACT MATING AREA FINISH	PART NUMBER

THIS DRAWING IS A CONTROLLED DOCUMENT.		DWN J.GERACE 22FEB06	Tyco Electronics Corporation Harrisburg, PA 17105-3608	
DIMENSIONS: mm [INCHES]		CHK S.BOLASH 22FEB06	NAME	
TOLERANCES UNLESS OTHERWISE SPECIFIED:		APVD M.WALMSLEY 22FEB06	AMPLIMITE HD-22 15 POS PLUG, RIGHT ANGLE	
0 PLC ± -	1 PLC ± 0.38 [.015]	PRODUCT SPEC 108-1092		
2 PLC ± 0.25 [.010]	3 PLC ± 0.15 [.006]	APPLICATION SPEC 114-13198		
4 PLC ± -	ANGLES ± 2°	SIZE A2	CAGE CODE 00779	DRAWING NO C=5749768
MATERIAL SEE NOTES	FINISH SEE NOTES	WEIGHT -	SCALE 3:1	SHEET 1 of 1
		CUSTOMER DRAWING		REV C